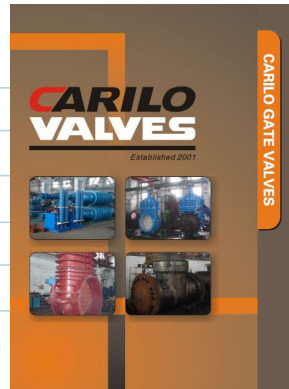
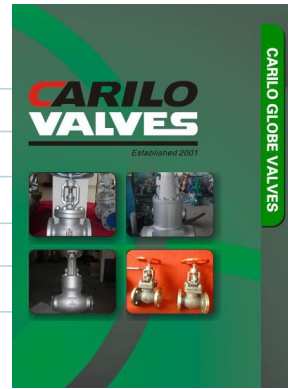


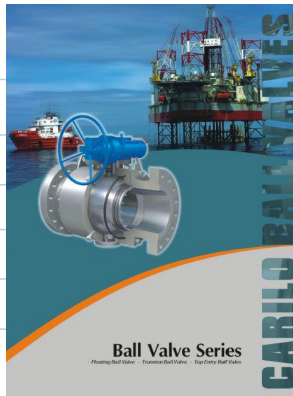
CHECK VALVES



GATE VALVES



GLOBE VALVES



BALL VALVES

**CARILLO**

**Carilo Valve Co., Ltd**

Add: Wuxing Industrial Zone, Oubei Town, Wenzhou,  
Zhejiang, China. Zipcode: 325102

Tel: +86 577 57766888 57766889

Fax: +86 577 57766880

Email: sales@carilovalve.com

Web: www.carilovalve.com

**CARILLO**  
**VALVES**



Y-STRAINERS

## Y型过滤器功能及特点 FUNCTIONS AND FEATURES OF Y-STRAINER

Y型过滤器是从流体中分离固体颗粒杂质，提高产品纯度，保护设备（压缩机、泵、仪表等）安全工作的产品。是输送介质的管道系列不可缺少的一种装置，通常安装在减压阀、泄压阀、定水位阀或其它设备的进口端，用来消除介质中的杂质，以保护阀门及设备的正常使用。

该过滤器具有结构先进，阻力小，排污方便等特点。适用介质可为水、油、气。可按用户要求制作滤网，其外型基本相同（Y型），内部件全部采用不锈钢，坚固耐用。当需要清洗时，只要将可拆卸的滤筒取出，去除滤出的杂质后，重新装入即可，使用维护极为方便。该过滤器体积小、滤眼细、阻力小、效率高、安装检修方便、成本低、并排污时间短，对一般小型号者，只需5-10分钟。一般通水网为18-30目，通气网为40-100目，通油网为100-300目。本过滤器有壳体、排污盖、滤芯、滤网等组成。网眼总面积是入口管首截面积的3-4倍。

用于管道清除输送介质：热水、冷水、蒸汽、压缩空气各种机械杂质，特别是锅炉房循环水泵前均需安此产品，为了清除系统中的机械杂质，使设备和管道免受堵塞和磨损，在额定流速下压损为0.05-0.1米水柱。

用于各种用汽设备，如：蒸汽仪表、疏水阀、压缩空气和各种用汽设备前均需安装。在额定流速下压损为0.05-0.2米水柱。油用过滤器该产品滤眼密度有多种。例如：64孔、200孔、300孔。用于各种输油管道上一切设备。例如：油泵、油锅炉前均需安装，在额定流速下压损为0.05-0.1米水柱。

Y filter is a product to separate solid particle impurities from fluid, improve product purity, and protect safe operation of devices (compressors, pumps, meters, etc.). It's an indispensable device for media-transmitting pipeline system, which is usually fixed on the entrance point of pressure reducing valves, pressure relief valves, float valves or other devices, to eliminate impurities in the medium and protect normal application of valves and devices.

The filter has the features of advanced structure, low resistance, and sewage convenience. Its applicable medium is water, oil or gas. According to the customer's requirement, a filter mesh can be made. Its shape is almost the same (Y-type) while its inner parts are all made of stainless steel, firm and durable. If it needs cleaning, you just need to take out the detachable cartridge, remove impurities and put it in. its maintenance is fairly convenient. The filter is small, with fine filter apertures, low resistance, high efficiency, installation and maintenance convenience, low cost and short sewage time. For general small-scale device, it just takes 5-10 minutes. Generally, water mesh is 18-30 meshes, gas mesh is 40-100 meshes, and oil mesh is 100-300 meshes. The filter is composed of the shell, sewage cover, filter element, and filter mesh etc. The total mesh area is as 3-4 times large as that of the first cross-sectional area of the entrance pipe.

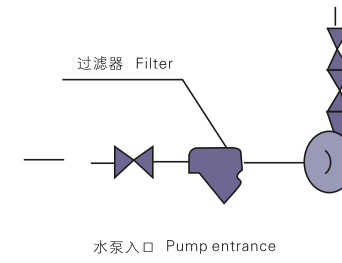
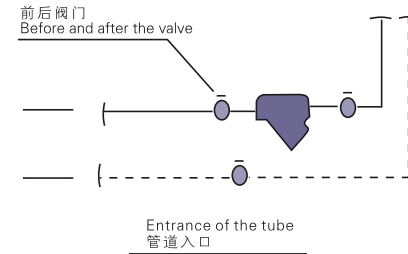
It's used for elimination of various mechanical impurities of the transmission media of hot water, cold water steam and condensed air, especially for circulating water pump in the boiler room. In order to eliminate mechanical media in the system and prevent devices and pipelines from obstruction and abrasion, the pressure loss is 0.05-0.1m water column under the rated flow speed.

It's used for various steam devices, such as steam instruments, steam traps, and devices for compressing air and other steam devices. The pressure loss is 0.05-0.2m water column under the rated flow speed. The filter aperture density is various for the oil filter, such as 64 meshes, 200 meshes and 300 meshes. It's used for all devices on the oil transmission pipelines, such as oil pumps and oil boilers. The pressure loss is 0.05-0.1m water column under the rated flow speed.



## Y型过滤器 功能及特点 FUNCTIONS AND FEATURES OF Y-STRAINER

### 安装示例 INSTALLING THE SAMPLE



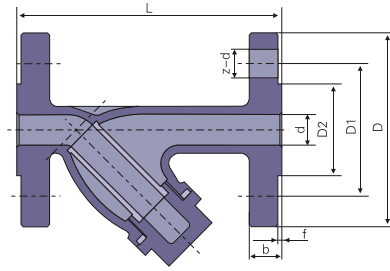
### 维修与保养 REPAIR AND MAINTENANCE

- 1、过滤器的核心部位是过滤器芯件，滤芯由过滤器框和不锈钢丝网组成，不锈钢丝网属易损件，需特别保护；
- 2、当过滤器工作一段时间后，过滤器芯内沉淀了一定的杂质，这时压力增大，流速会下降，需及时清除过滤器芯内的杂质；
- 3、清洗杂质时，特别注意滤芯上的不锈钢丝网不能变形或损坏，否则，再装上去的过滤器，过滤后介质的纯度达不到设计要求，压缩机、泵、仪表等设备会遭到破坏；
- 4、如发现不锈钢丝网变形或损坏，需马上更换。

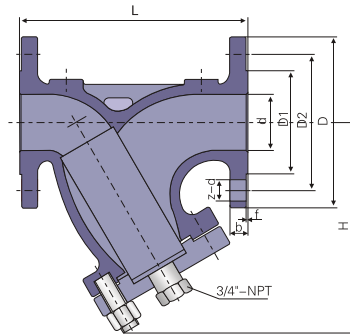
1. The core part of the filter is the filter element, which is made up of the filter framework and stainless steel mesh. Since the latter is fragile, it needs particular protection;
2. When the filter is used for a period, some impurities are accumulated in the filter element, which will cause the pressure to increase and flow speed reduce. At this time, you need to timely eliminate impurities;
3. When eliminating impurities, you should pay special attention not to deform or damage the stainless steel mesh; otherwise, the installed filter will cause the impurity of medium not to meet the intended requirement, the compressor, pump, instruments and other devices damaged;
4. If you find the stainless steel mesh deformed or damaged, change it immediately.

应用规范  
APPLICATION SPECIFICATIONS

- 1.设计制造标准:API6D; ANSI B16.34  
Design and manufacture conform to API6D; ANSI B16.34
- 2.结构长度按:ANSI B16.10  
Face to face ANSI B16.10
- 3.连接法兰按:ANSI B16.5  
End flange to ANSI B16.5
- 4.对焊端:ANSI B16.25  
Bw end to ANSI B16.25
- 5.检验和试压按:API598  
Test and inspection conform to AP598
- 6.材料标准根据:ANSI/ASTM  
Materials conform to ANSI/ASTM



1/2"-1 1/2"



2"-20"

主要零件及材料  
MAIN PARTS AND MATERIALS

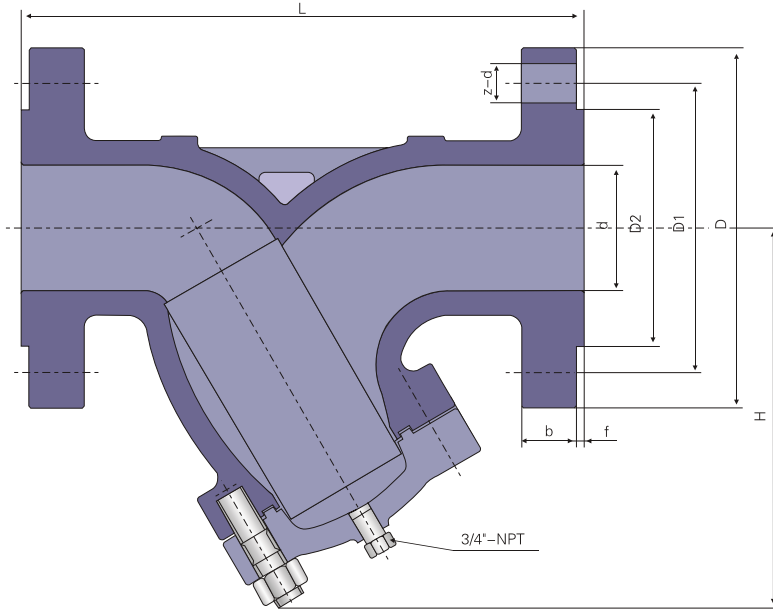
NO	名称 Part name	碳钢 CARBONSTEEL		不锈钢 STAINLESS STEEL	
		WCB	CF8	CF8M	CF3M
1	阀体Body	WCB	CF8	CF8M	CF3M
2	阀盖Cover	WCB	CF8	CF8M	CF3M
3	滤网Net	SS304	SS304	SS316	SS316L
4	排污堵塞Filler	A105	SS304	SS316	SS316L
5	垫片Gasket	PTFE, GRAPHITE			
6	螺栓Stud Bolt	A193-B7	A193-B8		
7	螺母Nut	A194-2H	A194-8		

主要连接尺寸表  
DIMENSION TABLE

压力级 CLASS	通径 SIZE	L	d	D	D1	D2	b	f	z-d	H	有效过滤面 (m <sup>2</sup> )
150LB	1/2"	130	13	90	60.5	35	12	2	4-15	69	0.00185
	3/4"	150	19	100	70	43	12		4-15	72	0.00281
	1"	160	25	110	79.5	51	12		4-15	78	0.00343
	1 1/4"	180	32	115	89	64	13		4-15	95	0.00486
	1 1/2"	200	38	125	98.5	73	15		4-15	105	0.00767
	2"	203	51	150	120.5	92	16		4-19	188	0.01161
	2 1/2"	216	64	180	139.5	105	18		4-19	205	0.02111
	3"	241	76	190	152.5	127	19		4-19	218	0.03029
	4"	292	102	230	190.5	157	24		8-19	255	0.04063
	5"	342	127	255	216.0	186	24		8-22	290	0.05523
	6"	406	152	280	241.5	216	26		8-22	335	0.07709
	8"	495	203	345	298.5	270	29		8-22	420	0.11967
	10"	622	254	405	362.0	324	31		12-25	495	0.19155
	12"	698	305	485	432	381	32		12-25	550	0.26738
	14"	787	337	535	476	413	35		12-25	610	0.30926
	16"	914	387	590	550	470	37		16-29	675	0.40946
18"	978	438	635	578	533	40	16-32	750	0.55638		
20"	1016	489	700	635	584	43	20-32	805	0.65385		

主要连接尺寸表  
DIMENSION TABLE

压力级 CLASS	通径 SIZE	L	d	D	D1	D2	b	f	z-d	H	有效过滤面 (m <sup>2</sup> )
300LB	1/2"	130	13	95	66.5	35	15	2	4-15	69	0.00185
	3/4"	150	19	115	82.5	43	16		4-19	72	0.00281
	1"	160	25	125	89	51	18		4-19	78	0.00343
	1 1/4"	180	32	135	98.5	64	19		4-19	95	0.00486
	1 1/2"	200	38	155	114.5	73	21		4-22	105	0.00767
	2"	267	51	165	127	92	23		8-19	200	0.01161
	2 1/2"	292	64	190	149.0	105	26		8-22	217	0.02111
	3"	318	76	210	168.5	127	29		8-22	230	0.03029
	4"	356	102	255	200	157	32		8-22	277	0.04063
	5"	400	127	280	235	186	35		8-22	312	0.05523
	6"	445	152	320	270	216	37		12-22	357	0.07709
	8"	559	203	380	330	270	42		12-25	442	0.11967
	10"	622	254	445	387.5	324	48		16-29	517	0.19155
	12"	711	305	520	451	381	51		16-32	572	0.26738
	14"	838	337	585	514.5	413	54		20-32	635	0.30926
	16"	914	387	650	571.5	470	58		20-35	698	0.40946
18"	98	438	710	628.5	533	61	24-35	775	0.55638		
20"	1016	489	775	686	584	64	24-35	830	0.65385		



**应用规范  
APPLICATION SPECIFICATIONS**

- 1.设计制造标准:API6D ANSI B16.34  
Design and manufacture conform to API6D ANSI B16.34
- 2.结构长度按: ANSI B16.10  
Face to face ANSI B16.10
- 3.连接法兰按: ANSI B16.5  
End flange to ANSI B16.5
- 4.对焊端: ANSI B16.25  
Bw end to ANSI B16.25
- 5.检验和试压按: API598  
Test and inspection conform to API598
- 6.材料标准根据:ANSI/ASTM  
Materials conform to ANSI/ASTM

**主要零件及材料  
MAIN PARTS AND MATERIALS**

NO	名称 Part name	碳钢 CARBON STEEL		不锈钢 STAINLESS STEEL	
		WCB	CF8	CF8M	CF3M
1	阀体Body	WCB	CF8	CF8M	CF3M
2	阀盖Cover	WCB		CF8M	CF3M
3	滤网Net	Ss304	SS304	Ss316	SS316L
4	排污堵塞Filler	A105	SS304	SS316	SS316L
5	垫片Gasket	PTFE, GRAPHITE			
6	螺栓Stud Bolt	A193-B7		A193-B8	
7	螺母Nut	A194-2H		A194-8	

**主要连接尺寸表  
DIMENSION TABLE**

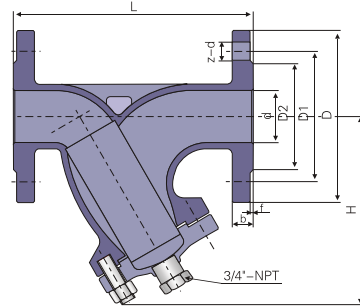
压力级 CLASS	通径 SIZE	L	d	D	D1	D2	b	f	z-d	H	有效过滤面 (m <sup>2</sup> )
600LB	1/2"	165	13	95	66.5	35	15	6.4	4-15	89	0.00185
	3/4"	191	19	115	82.5	43	16		4-19	92	0.00281
	1"	216	25	125	89	51	18		4-19	98	0.00343
	1 1/4"	229	32	135	98.5	64	21		4-19	115	0.00486
	1 1/2"	241	38	155	114.5	73	23		4-22	125	0.00767
	2"	292	51	165	127	92	26		8-19	213	0.01161
	2 1/2"	330	64	190	149.0	105	29		8-22	230	0.02111
	3"	256	76	210	168.5	127	32		8-22	243	0.03029
	4"	432	102	275	216	157	38		8-25	280	0.04063
	5"	508	127	330	266.5	186	44.5		8-29	315	0.05523
	6"	559	152	355	292	216	48		12-29	360	0.07709
	8"	660	203	420	349	270	56		12-32	445	0.11967
	10"	787	254	510	432	324	64		16-35	528	0.19155
	12"	838	305	560	489	381	67		20-35	575	0.26738
	14"	889	337	605	527	413	70		20-38	635	0.30926
	16"	991	387	685	603	470	77		20-41	700	0.40946
18"	1092	438	745	654	533	83	20-45	775	0.55638		
20"	1194	489	815	724	584	89	24-45	830	0.65385		

**主要连接尺寸表  
DIMENSION TABLE**

压力级 CLASS	通径 SIZE	L	d	D	D1	D2	b	f	z-d	H	有效过滤面 (m <sup>2</sup> )
900LB	1/2"	216	13	95	120	35	15	6.4	4-15	89	0.00185
	3/4"	229	19	117	130	43	16		4-19	92	0.00281
	1"	254	25	124	150	51	18		4-19	98	0.00343
	1 1/4"	279	32	133	160	64	21		4-19	115	0.00486
	1 1/2"	305	38	156	180	73	23		4-22	125	0.00767
	2"	368	51	165	215	92	26		8-19	223	0.01161
	2 1/2"	419	64	190	245	105	29		8-22	240	0.02111
	3"	381	76	210	265	127	32		8-22	260	0.03029
	4"	457	102	254	310	157	38		8-22	295	0.04063
	5"	559	127	279	375	186	51		8-22	335	0.05523
	6"	610	152	318	395	216	48		12-22	380	0.07709
	8"	737	203	381	485	270	56		12-25	459	0.11967
	10"	838	254	445	585	324	64		16-29	550	0.19155
	12"	965	305	521	675	381	67		16-32	605	0.26738
	14"	1029	324	584	750	413	70		20-32	650	0.30926
	16"	1130	375	648	825	470	77		20-35	735	0.40946
18"	1219	425	711	915	533	83	24-35	801	0.55638		
20"	1575	473	775	985	584	89	24-35	850	0.65385		

#### 应用规范 APPLICATION SPECIFICATIONS

1. 设计制造标准: DIN 3356  
Design and manufacture conform to DIN 3356
2. 结构长度按: DIN 3202-F1  
Face to face DIN 3202-F1
3. 连接法兰按: DIN 2543-2545  
End flange to DIN 2543-2545
4. 检验和试压按: DIN 3230  
Test and inspection conform to DIN 3230



#### 主要零件及材料 MAIN PARTS AND MATERIALS

NO	名称 Part name	材料	
		碳钢 CARBON STEEL	不锈钢 STAINLESS STEEL
1	阀体Body	CS-C25	1.4308 1.4408
2	阀盖Cover	CS-C25	1.4308 1.4408
3	滤网Net	SS304	SS304 SS316
4	排污堵塞Filler	A105	SS304 Ss316
5	垫片Gasket	PTFE, GRAPHITE	
6	螺栓Stud Bolt	A193-B7	A193-B8
7	螺母Nut	A194-2H	A194-8

#### 主要连接尺寸表 DIMENSION TABLE

压力级 MPa	通径 SIZE	L	d	D	D1	D2	b	f	z-d	H	有效过滤面 (m <sup>2</sup> )
1.6	15	130	15	95	65	45	16	2	4-14	75	0.00185
	20	150	20	105	75	58	18		4-14	80	0.00281
	25	160	25	115	85	68	18		4-14	85	0.00343
	32	180	32	140	100	78	18		4-18	105	0.00486
	40	200	40	150	110	88	18	3	4-18	115	0.00767
	50	230	50	165	125	102	20		4-18	188	0.01161
	65	290	65	185	145	122	18		4-18	205	0.02111
	80	310	80	200	160	138	20		8-18	218	0.03029
	100	350	100	220	180	158	20	4	8-18	255	0.04063
	125	400	125	250	210	188	22		8-18	290	0.05523
	150	480	150	285	240	212	22		8-22	335	0.07709
	200	600	200	340	295	268	24		12-22	420	0.11967
	250	730	250	405	355	320	26	4	12-26	495	0.19155
	300	850	300	460	410	378	28		12-26	550	0.26738
	350	980	350	520	470	438	30		16-26	610	0.30926
	400	1100	400	580	525	490	32		16-30	675	0.40946
450	1200	450	640	585	548	34	4	20-30	750	0.55638	
500	1250	500	715	650	610	36		20-33	805	0.65385	

#### 主要连接尺寸表 DIMENSION TABLE

压力级 CLASS	通径 SIZE	L	d	D	D1	D2	b	f	z-d	H	有效过滤面 (m <sup>2</sup> )
2.5	15	130	15	95	65	45	16	2	4-14	75	0.00185
	20	150	20	105	75	58	18		4-14	80	0.00281
	25	160	25	115	85	68	18		4-14	85	0.00343
	32	180	32	140	100	78	18		4-18	105	0.00486
	40	200	40	150	110	88	18	3	4-18	115	0.00767
	50	230	50	165	125	102	20		4-18	188	0.01161
	65	290	65	185	145	122	22		8-18	205	0.02111
	80	310	80	200	160	138	24		8-18	218	0.03029
	100	350	100	235	190	162	24	4	8-22	255	0.04063
	125	400	125	270	220	188	26		8-26	290	0.05523
	150	480	150	300	250	218	28		8-26	335	0.07709
	200	600	200	360	310	278	30		12-26	420	0.11967
	250	730	250	425	370	335	32	4	12-30	495	0.19155
	300	850	300	485	430	395	34		16-30	550	0.26738
	350	980	350	555	490	450	38		16-33	610	0.30926
	400	1100	400	620	550	505	40		16-36	675	0.40946
450	1200	450	670	600	548	42	4	20-30	750	0.55638	
500	1250	500	730	660	615	44		20-36	805	0.65385	

#### 主要连接尺寸表 DIMENSION TABLE

压力级 MPa	通径 SIZE	L	d	D	D1	D2	b	f	z-d	H	有效过滤面 (m <sup>2</sup> )
4.0	15	130	15	95	65	45	16	2	4-14	75	0.00185
	20	150	20	105	75	58	18		4-14	80	0.00281
	25	160	25	115	85	68	18		4-14	85	0.00343
	32	180	32	140	100	78	18		4-18	105	0.00486
	40	200	40	150	110	88	18	3	4-18	115	0.00767
	50	230	50	165	125	102	20		4-18	188	0.01161
	65	290	65	185	145	122	22		8-18	205	0.02111
	80	310	80	200	160	138	24		8-18	218	0.03029
	100	350	100	235	190	162	24	4	8-22	255	0.04063
	125	400	125	270	220	188	26		8-26	290	0.05523
	150	480	150	300	250	218	28		8-26	335	0.07709
	200	600	200	375	320	285	34		12-30	420	0.11967
	250	730	250	450	385	245	38	4	12-33	495	0.19155
	300	850	300	515	450	410	42		16-33	550	0.26738
	350	980	350	580	510	465	46		16-36	610	0.30926
	400	1100	400	600	585	535	50		16-39	675	0.40946
450	1200	450	685	610	560	50	4	20-39	750	0.55638	
500	1250	500	755	670	615	52		20-42	805	0.65385	